

INDEX

KURAT ENTERPRISE

TECHNICAL INFORMATION



Page 4 PPF/10K/A
ADAPTOR/1 OK
MALE - FEMALE



Page 6 PPF/10K/HRN-NN
HEX REDUCING NIPPLES/1 OK
NPT-NPT



Page 8 PPF/10K/HP
HEX PLUG/1 OK
NPT



Page 4 PPF/10K/RA
REDUCING ADAPTOR/1 OK
MALE - FEMALE



Page 6 PPF/10K/HN-JJ
HEX NIPPLES/1 OK
JIC - JIC



Page 9 PPF/1 OK/ME
ELBOW/1 OK
MALE - MALE



Page 5 PPF/10K/HC
HEX COUPLING/1 OK
FEMALE



Page 7 PPF/10K/HN-GN
HEX NIPPLES/1 OK
BSPP - NPT



Page 9 PPF/1 OK/MFE
ELBOW/1 OK
MALE - FEMALE



Page 5 PPF/10K/HRC
HEX REDUCING COUPLING/1 OK
FEMALE



Page 7 PPF/10K/HRN-GN
HEX REDUCING NIPPLES/1 OK
BSPP - NPT



Page 9 PPF/1 OK/MT
TEE/1 OK
MALE



Page 5 PPF/10K/HN-GG
HEX NIPPLES/1 OK
BSPP - BSPP



Page 7 PPF/10K/HN-NJ
HEX NIPPLES/1 OK
NPT - JIC



Page 10 PPF/1 OK/FE
ELBOW/1 OK
FEMALE - FEMALE



Page 5 PPF/10K/HRN-GG
HEX REDUCING NIPPLES/1 OK
BSPP - BSPP



Page 8 PPF/10K/HNL
HEX NIPPLES/1 OK
LONG



Page 10 PPF/1 OK/FT
TEE/1 OK
FEMALE



Page 6 PPF/10K/HN-NN
HEX NIPPLES/1 OK
NPT - NPT



Page 8 PPF/1 OK/PC
PIPE CAP/1 OK
NPT



Page 10 PPF/1 OK/FC
CROSS/1 OK
FEMALE - FEMALE

Warning for Your Safety

The system designer and user have the sole responsibility to select products suitable for their special application requirements to ensure the proper installation, operation and maintenance of the product. Application details, material compatibility and product ratings should all be considered in the individual selection. Improper selection or use of products can cause property damage or personal injury. KURAT accept no liability for any improper selection, installation, operation or maintenance.

HIGH PRESSURE PIPE FITTINGS

HIGH PRESSURE PIPE FITTINGS

TECHNICAL INFORMATION

INTRODUCTION

KURAT 10K pressure series consists of complete line of Precision Instrument threaded pipe fittings. This range has been designed and manufactured for typical application in chemical and petrochemical plants, as well as oil, gas and power generation industries. This fully illustrated catalogue contains detailed engineering information, dimensional data and the part numbering system.

NOMENCLATURE

KURAT fitting part numbers are constructed from symbols that identify the size and style of the fitting and the material used.

ABBREVIATION

P = Female Thread Type F = Hex Across Flat

P1 = Male Thread Type IN = Imperial (Inch)

MATERIAL

SS =316

SSL = 316L

S =304

M = Monel

H = Hastelloy

HOW TO ORDER

KURAT fittings are ordered by part number as listed in this catalogue.

SIZE

The thread size is written as a fraction eg. 1/4NPT= 4N.

PIPE THREAD SIZE DESIGNATOR

Norn. Size 1/8" 1/4" 3/8" 1/2" 3/4" 1"

Identifier 2 4 6 8 12 16

FITTING STYLE

A letter or combination of letters and numbers are used to designate the type of fitting.

Eg. PPF/10K/A = KURAT PIPE FITTING / 10000 psi /ADAPTOR. Please see visual Index.

FITTING TYPE DESIGNATOR / IDENTIFIER DESCRIPTION

PPF/10K/A	ADAPTOR/1 OK
PPF/10K/RA	REDUCING ADAPTOR/1 OK
PPF/10K/HC	HEX COUPLING/1 OK
PPF/10K/HRC	HEX REDUCING COUPLING/1 OK
PPF/10K/HN-GG	HEX NIPPLES/1 OK BSPP-BSPP
PPF/10K/HRN-GG	HEX REDUCING NIPPLES/1 OK BSPP-BSPP
PPF/10K/HN-NN	HEX NIPPLES/1 OK NPT-NPT
PPF/10K/HRN-NN	HEX REDUCING NIPPLES/10K NPT-NPT
PPF/10K/HN-JJ	HEX NIPPLES/1 OK JIC-JIC
PPF/10K/HN-GN	HEX NIPPLES/1 OK BSPP-NPT
PPF/10K/HRN-GN	HEX REDUCING NIPPLES/1 OK
PPF/10K/HN-NJ	HEX NIPPLES/1 OK NPT-JIC
PPF/10K/HNL	HEX NIPPLES/1 OK LONG
PPF/1 OK/PC	PIPE CAP/1 OK NPT
PPF/1 OK/HP	HEX PLUG/1 OK NPT
PPF/1 OK/ME	ELBOW/1 OK MALE-MALE
PPF/10K/MFE	ELBOW/1 OK MALE-FEMALE
PPF/10K/MT	TEE/1 OK MALE
PPF/10K/FE	ELBOW/1 OK FEMALE-FEMALE
PPF/1 OK/FT	TEE/1 OK FEMALE
PPF/1 OK/FC	CROSS/1 OK FEMALE-FEMALE

THREAD

All fittings supplied under this specification shall be in accordance with ANSI/ASME B1.20.1 NPT (National Pipe Taper) and ASME B1.12003 UNF as per SAE J475 (ISO R725)

PIPE THREAD SYMBOL

Norn. Pipe Size	Symbol	NPT Thread (ANSI-B1.20.1)	BSP Thread (ISO 228/1)	UNF/ISO Thread SAE J475 (ISO R725)
1/8"	2	2N	2G	2U
1/4"	4	4N	4G	4U
3/8"	6	6N	6G	6U
1/2"	8	8N	8G	8U
3/4"	12	12N	12G	12U
1"	16	16N	16G	16U

Warning for Your Safety

The system designer and user have the sole responsibility to select products suitable for their special application requirements proper installation. Operation and maintenance of the product. Application details, material compatibility and product ratings should be considered in the individual selection. Improper selection or use of products can cause property damage or personal injury. Product liability for any improper selection, installation, operation or maintenance.

TECHNICAL INFORMATION

APPLICATION

KURAT fitting has been specifically designed for use on instrumentation, process and control systems, together with equipment employed in chemical, chromatography, petroleum, power generation and pulp & paper plants.

MATERIALS

KURAT fittings are available in Stainless Steel, Monel, Hastelloy C, Incoloy, Inconel 600. Straight fittings are machined from cold finished bar stock and shaped bodies are machined from close grain forgings. The raw materials used fully conform to the chemical requirements of one or more of the specifications listed.

TYPICAL RAW MATERIAL SPECIFICATIONS

Materials	Specification	
	Barstock	Forgings
316 Stainless Steel	PSTM A-276	PSTMA-182
	PSTM A-479	
316L Stainless Steel	PSTM A-479	

HEAT CODE TRACEABILITY

For critical applications, stainless steel KURAT fittings are manufactured as standard, with a unique heat code traceability number, either stamped, or etched on each individual fitting. Upon request, full material documentation is available, tracing the stainless steel back to the original cast or melt.

DESIGN/FEATURES

Sizes range from 1 /8" to 1".

Fittings are properly packaged with the exposed threads protected to ensure they are not damaged during delivery.

Working pressures calculated in accordance with Power Piping Code ANSI B 31.1, Refiner Piping Code PSME/PNSIB31.3 section VIII of PSME Boiler & Pressure Vessel Code.

1. Precision pipe fittings for instrumentation and process control.
2. Fine threads constructed to ensure leak-free & reliable systems
3. Male threads are protected with plastic cap,
4. Many choice of connections and configurations are available.
5. Safety factor is 1:4

INSTALLATION INSTRUCTIONS

To ensure a leak-tight seal, KURAT recommends the use of a pipe thread sealant on all NPT threads. The most effective sealing method is teflon tape. Tape should be used only on male tapered pipe threads. Do not use tape on flared, coned or tube fitting ends! Clean both male and female tapered threads. Wrap tape in the direction of the male tapered thread spiral.

Note: Two wraps are suggested for stainless steel tapered pipe threads. Make sure tape does not overhang the first thread, as the tape might shred and enter the fluid system. Cut off excess tape. The connection is now ready for proper make up.

Warning for Your Safety

The system designer and user have the sole responsibility to select products suitable for their special application requirements to ensure the proper installation. Operation and maintenance of the product. Application details, material compatibility and product ratings should all be considered in the individual selection. Improper selection or use of products can cause property damage or personal injury. Pioneer accepts no liability for any improper selection, installation, operation or maintenance.

HIGH PRESSURE PIPE FITTINGS

HIGH PRESSURE PIPE FITTINGS

ADAPTOR/1 OK MALE-FEMALE

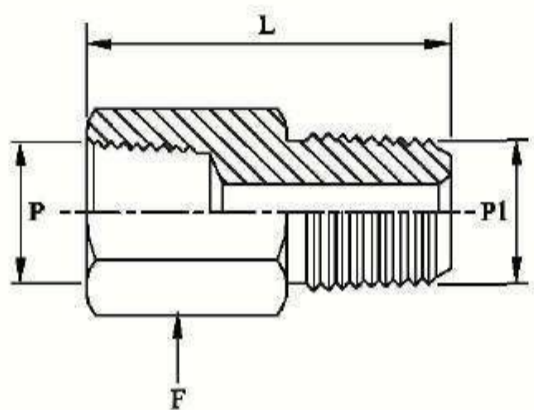
Design : PPF/1 OK/A

PART No.	P NPTF	P1 NPTM	F HEX	L
PPF/10K/A/2-2I	1/8"	1/8"	3/4"	1.11"
PPF/10K/A/4-4I	1/4"	1/4"	7/8"	1.51"
PPF/10K/A/6-6I	3/8"	3/8"	1-1/8"	1.57"
PPF/10K/A/8-8I	1/2"	1/2"	1-3/8"	2.07"
PPF/10K/A/12-12I	3/4"	3/4"	1-3/4"	2.26"
PPF/10K/A/16-16I	1"	1"	2-1/4"	2.69"



REDUCING ADAPTOR/1 OK MALE-FEMALE

Design : PPF/1 OK/RA



PART No.	P NPTF	P1 NPTM	F HEX	L
PPF/10K/RA/2-4I	1/8"	1/4"	3/4"	1.29"
PPF/10K/RA/2-6I	1/8"	3/8"	3/4"	1.29"
PPF/10K/RA/2-8I	1/8"	1/2"	7/8"	1.42"
PPF/10K/RA/4-2I	1/4"	1/8"	7/8"	1.33"
PPF/10K/RA/4-6I	1/4"	3/8"	7/8"	1.51"
PPF/10K/RA/4-8I	1/4"	1/2"	7/8"	1.70"
PPF/10K/RA/4-12I	1/4"	3/4"	1-1/8"	1.70"
PPF/10K/RA/4-16I	1/4"	1"	1-3/8"	1.89"
PPF/10K/RA/6-2I	3/8"	1/8"	1-1/8"	1.39"
PPF/10K/RA/6-4I	3/8"	1/4"	1-1/8"	1.57"
PPF/10K/RA/6-8I	3/8"	1/2"	1-1/8"	1.76"
PPF/10K/RA/6-12I	3/8"	3/4"	1-1/8"	1.76"
PPF/10K/RA/6-16I	3/8"	1"	1-3/8"	1.95"
PPF/10K/RA/8-2I	1/2"	1/8"	1-3/8"	1.70"
PPF/10K/RA/8-4I	1/2"	1/4"	1-3/8"	1.88"
PPF/10K/RA/8-6I	1/2"	3/8"	1-3/8"	1.88"
PPF/10K/RA/8-12I	1/2"	3/4"	1-3/8"	2.07"
PPF/10K/RA/8-16I	1/2"	1"	1-3/8"	2.26"
PPF/10K/RA/12-4I	3/4"	1/4"	1-3/4"	2.06"
PPF/10K/RA/12-6I	3/4"	3/8"	1-3/4"	2.06"
PPF/10K/RA/12-8I	3/4"	1/2"	1-3/4"	2.25"
PPF/10K/RA/12-16I	3/4"	1"	1-3/4"	2.44"
PPF/10K/RA/16-4I	1"	1/4"	2-1/4"	2.31"
PPF/10K/RA/16-6I	1"	3/8"	2-1/4"	2.31"
PPF/10K/RA/16-8I	1"	1/2"	2-1/4"	2.50"
PPF/10K/RA/16-12I	1"	3/4"	2-1/4"	2.50"

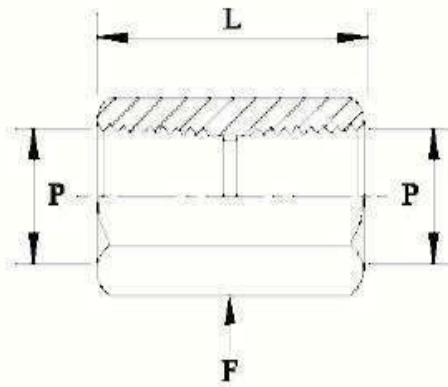
Warning for Your Safety

The system designer and user have the sole responsibility to select products suitable for their special application requirements to ensure proper installation, operation and maintenance of the product. Application details, material compatibility and product ratings should be considered in the individual selection. Improper selection or use of products can cause property damage or personal injury. The manufacturer is not liable for any improper selection, installation, operation or maintenance.

HEX COUPLING/1 OK_{FEMALE}

KURAT ENTERPRISE

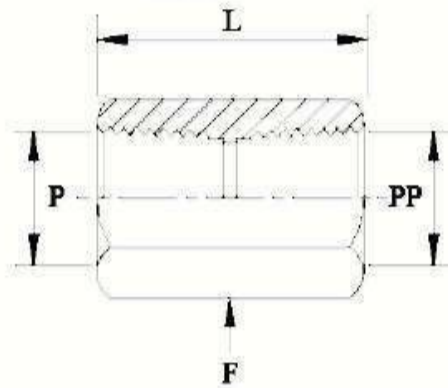
Design : PPF/10K/HC



PART No.	P NPTF	F HEX	L
PPF/10K/HC/2-2I	1/8"	3/4"	0.88"
PPF/10K/HC/4-4I	1/4"	7/8"	1.13"
PPF/10K/HC/6-6I	3/8"	1-1/8"	1.13"
PPF/10K/HC/8-8I	1/2"	1-3/8"	1.50"
PPF/10K/HC/12-12I	3/4"	1-3/4"	1.53"
PPF/10K/HC/16-16I	1"	2-1/4"	1.89"

HEX REDUCING COUPLING/1 OK FEMALE

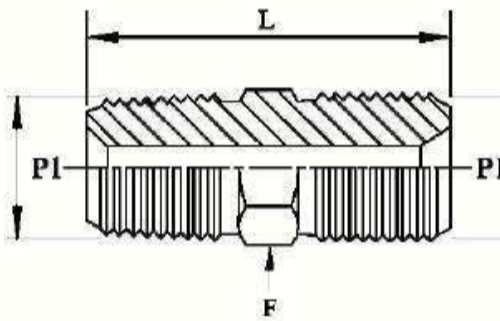
Design : PPF/10K/HRC



PART No.	P NPTF	PP NPTF	F HEX	L
PPF/10K/HRC/4-2I	1/4"	1/8"	7/8"	0.95"
PPF/10MHRC/6-2I	3/8"	1/8"	1-1/8"	0.95"
PPF/10K/HRC/6-4I	3/8"	1/4"	1-1/8"	1.13"
PPF/10K/HRC/8-2I	1/2"	1/8"	1-3/8"	1.19"
PPF/10K/HRC/8-4I	1/2"	1/4"	1-3/8"	1.37"
PPF/10K/HRC/8-6I	1/2"	3/8"	1-3/8"	1.37"
PPF/10K/HRC/12-4I	3/4"	1/4"	1-3/4"	1.40"
PPF/10K/HRC/12-6I	3/4"	3/8"	1-3/4"	1.40"
PPF/10K/HRC/12-8I	3/4"	1/2"	1-3/4"	1.53"
PPF/10K/HRC/16-4I	1"	1/4"	2-1/4"	1.63"
PPF/10K/HRC/16-6I	1"	3/8"	2-1/4"	1.63"
PPF/10K/HRC/16-8I	1"	1/2"	2-1/4"	1.76"
PPF/10K/HRC/16-12I	1"	3/4"	2-1/4"	1.76"

HEX NIPPLES/1 OK_{BSPP-BSPP}

Design : PPF/10K/HN-GG

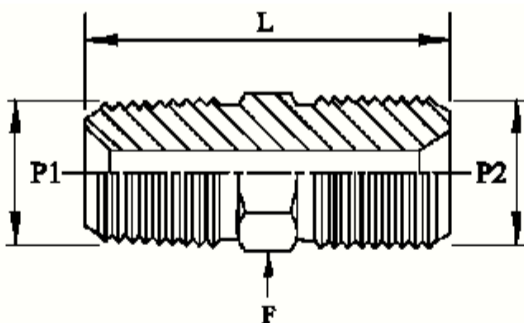


PART No.	P1 MALE 60° Con	P1 MALE 60° Con	F HEX	L
PPF/10K/HN-GG/2-2I	1/8"	1/8"	9/16"	1.02"
PPF/10K/HN-GG/4-4I	1/4"	1/4"	3/4"	1.34"
PPF/10K/HN-GG/6-6I	3/8"	3/8"	7/8"	1.38"
PPF/10K/HN-GG/8-8I	1/2"	1/2"	1-1/8"	1.82"
PPF/10K/HN-GG/12-12I	3/4"	3/4"	1-1/4"	1.90"
PPF/10K/HN-GG/16-16I	1"	1"	1-5/8"	2.44"



HEX REDUCING NIPPLES/1 OK_{BSPP - BSPP}

Design : PPF/10K/HRN-GG



PART No.	P1 MALE 60on	P2 MALE 60 Con	F HEX	L
PPF/10K/HRN-GG/4-2I	1/4"	1/8"	3/4"	1.18"
PPF/10K/HRN-GG/6-4I	3/8"	1/4"	7/8"	1.38"
PPF/10K/HRN-GG/8-4I	1/2"	1/4"	1-1/8"	1.62"
PPF/10K/HRN-GG/8-6I	1/2"	3/8"	1-1/8"	1.62"
PPF/10K/HRN-GG/12-8I	3/4"	1/2"	1-1/4"	1.90"
PPF/10K/HRN-GG/16-12I	1"	3/4"	1-5/8"	2.21"

HIGH PRESSURE PIPE FITTINGS

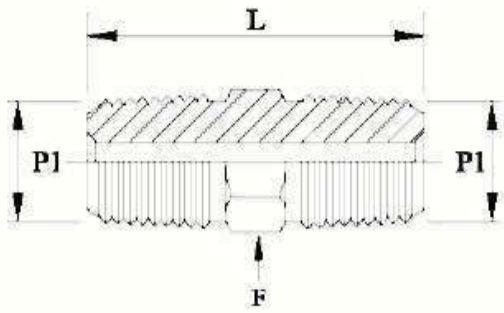
Warning for Your Safety

The system designer and user have the sole responsibility to select products suitable for their special application requirements, proper installation, operation and maintenance of the product. Application details, material compatibility and product ratings should be considered in the individual selection. Improper selection or use of products can cause property damage or personal injury. PPF/10K/HRN-GG is not liable for any improper selection, installation, operation or maintenance.

HIGH PRESSURE PIPE FITTINGS

HEX NIPPLES/1 OK_{NFT-NFT}

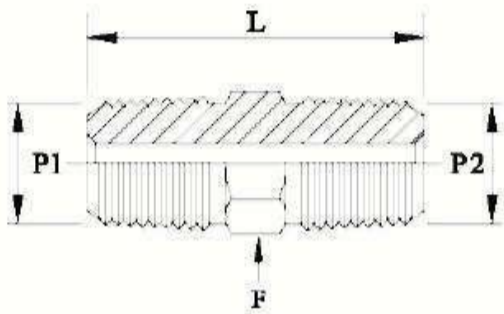
Design : PPF/10K/HN-NN



PART No.	P1		F HEX	L
	N P TM	N P TM		
PPF/10K/HN-NN/2-2I	1/8"	1/8"	7/16"	1.06"
PPF/10K/HN-NN/4-4I	1/4"	1/4"	5/8"	1.45"
PPF/10K/HN-NN/6-6I	3/8"	3/8"	3/4"	1.45"
PPF/10K/HN-NN/8-8I	1/2"	1/2"	7/8"	1.89"
PPF/10K/HN-NN/12-12I	3/4"	3/4"	1-1/8"	1.89"
PPF/10K/HN-NN/16-6I	1"	1"	1-3/8"	2.44"

HEX REDUCING NIPPLES/1 OK_{NPT-NPT}

Design : P PF/10K/HRN-NN

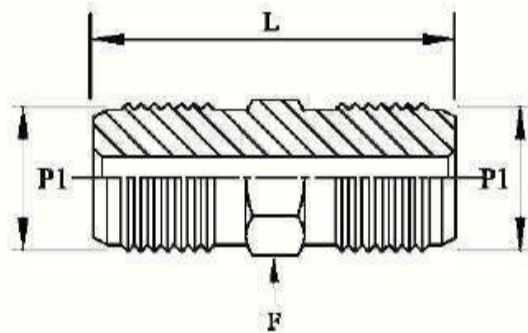


PART No.	P1	P2	F HEX	L
	N P TM	N P TM		
PPF/10K/HRN-NN/4-2I	1/4"	1/8"	5/8"	1.27"
PPF/10K/HRN-NN/6-2I	3/8"	1/8"	3/4"	1.27"
PPF/10K/HRN-NN/6-4I 3/8"		1/4"	3/4"	1.45"
PPF/10K/HRN-NN/8-2I 1/2"		1/8"	7/8"	1.52"
PPF/10K/HRN-NN/8-4I	1/2"	1/4"	7/8"	1.70"
PPF/10K/HRN-NN/8-6I	1/2"	3/8"	7/8"	1.70"
PPF/10K/HRN-NN/12-4I	3/4"	1/4"	1-1/8"	1.69"
PPF/10K/HRN-NN/12-6I	3/4"	3/8"	1-1/8"	1.69"
PPF/10K/HRN-NN/12-8I	3/4"	1/2"	1-1/8"	1.89"
PPF/10K/HRN-NN/16-4I	1"	1/4"	1-3/8"	2.00"
PPF/10K/HRN-NN/16-8I	1"	3/8"	1-3/8"	2.00"
PPF/10K/HRN-NN/16-12I	1"	1/2"	1-3/8"	2.20"
PPF/10K/HRN-NN/16-16I	1"	3/4"	1-3/8"	2.20"



HEX NIPPLES/1 OK_{JIC-JIC}

Design : PPF/10K/HN-JJ



PART No.	P1		F HEX	L
	JIC 37° MALE	JIC 37° MALE		
PPF/10K/HN-JJ/4-4I	7/16"-20TP	7/16"-20TP	9/16"	1.37"
PPF/10K/HN-JJ/5-5I	1/2"-20TP	1/2"-20TP	5/8"	1.37"
PPF/10K/HN-JJ/6-6I	9/16"-18TP	9/16"-18TP	3/4"	1.42"
PPF/10K/HN-JJ/8-8I	3/4"-16TP	3/4"-16TP	7/8"	1.62"
PPF/10K/HN-JJ/10-10I	7/8"-14TP	7/8"-14TP	15/16"	1.89"
PPF/10K/HN-JJ/12-12I	1-1/16"-12TP	1-1/16"-12TP	1-1/8"	2.16"
PPF/10K/HN-JJ/16-16I	1-5/16"-12TP	1-5/16"-12TP	1-1/2"	2.25"

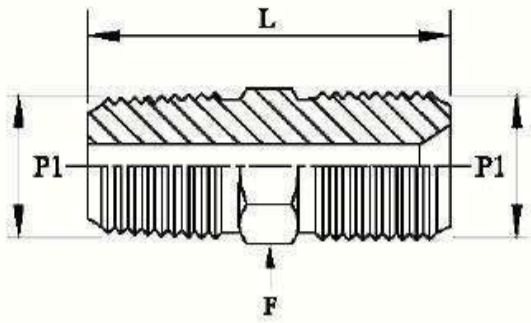
Warning for Your Safety

The system designer and user have the sole responsibility to select products suitable for their special application requirements proper installation. Operation and maintenance of the product. Application details, material compatibility and product ratings should be considered in the individual selection. Improper selection or use of products can cause property damage or personal injury. PPF/10K/HRN-NN is not liable for any improper selection, installation, operation or maintenance.

HEX NIPPLES/1 OK BSPP-NPT

KURAT ENTERPRISE

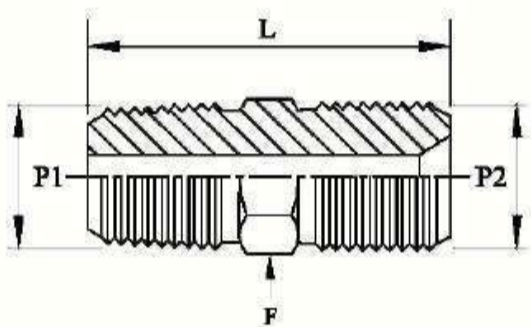
Design : PPF/10K/HN-GN



PART No.	PI BSPP 60 Con NPTM	F HEX	L
PPF/10K/HN-GN/2-2I	1/8"	1/8"	9/16"
PPF/10K/HN-GN/4-4I	1/4"	1/4"	3/4"
PPF/10K/HN-GN/6-6I	3/8"	3/8"	7/8"
PPF/10K/HN-GN/8-8I	1/2"	1/2"	1-1/8"
PPF/10K/HN-GN/1 2-12I	3/4"	3/4"	1-3/8"
PPF/10K/HN-GN/16-16I	1"	1"	1-5/8"

HEX REDUCING NIPPLES/1 OK BSPP -NPT

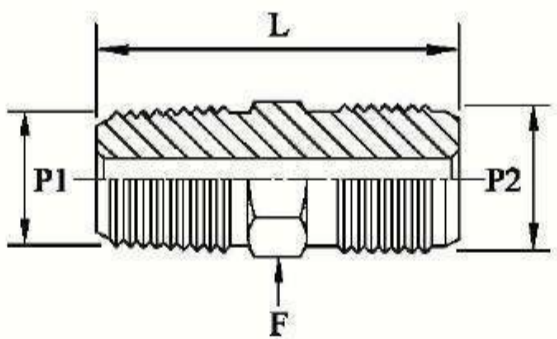
Design : PPF/10K/HRN-GN



PART No.	P1 BSPP 60 Con	P2 NPTM	F HEX	L
PPF/10K/HRN-GN/2-4I	1/8"	1/4"	5/8"	1.27"
PPF/10K/HRN-GN/4-2I	1/4"	1/8"	3/4"	1.27"
PPF/10K/HRN-GN/4-6I	1/4"	3/8"	3/4"	1.43"
PPF/10K/HRN-GN/6-4I	3/8"	1/4"	7/8"	1.43"
PPF/10K/HRN-GN/6-8I	3/8"	1/2"	7/8"	1.65"
PPF/10K/HRN-GN/8-6I	1/2"	3/8"	1-1/8"	1.65"
PPF/10K/HRN-GN/8-12I	1/2"	3/4"	1-1/8"	1.90"
PPF/10K/HRN-GN/12-8I	3/4"	1/2"	1-3/8"	1.90"
PPF/10K/HRN-GN/12-16	3/4"	1"	1-3/8"	2.20"
PPF/10K/HRN-GN/16-12	1"	3/4"	1-5/8"	2.20"

HEX NIPPLES/1 OK NPT- JIC

Design : PPF/10K/HN-NJ



PART No.	P1 NPTM	P2 JIC37-MALE	F HEX	L
PPF/10K/HN-NJ/2-4I	1/8"	7/16"-20TP	9/16"	1.22"
PPF/10K/HN-NJ/4-4I	1/4"	7/16"-20TP	5/8"	1.42"
PPF/10K/HN-NJ/4-5I	1/4"	1/2"-20TP	5/8"	1.42"
PPF/10K/HN-NJ/4-6I	1/4"	9/16"-18TP	5/8"	1.42"
PPF/10K/HN-NJ/6-4I	3/8"	7/16"-20TP	3/4"	1.45"
PPF/10K/HN-NJ/6-6I	3/8"	9/16"-18TP	3/4"	1.42"
PPF/10K/HN-NJ/6-8I	3/8"	3/4"-16TP	7/8"	1.53"
PPF/10K/HN-NJ/8-6I	1/2"	9/16"-18TP	7/8"	1.69"
PPF/10K/HN-NJ/8-8I	1/2"	3/4"-16TP	7/8"	1.81"
PPF/10K/HN-NJ/8-10I	1/2"	7/8"-14TP	15/16"	1.89"
PPF/10K/HN-NJ/8-12I	1/2"	1-1/16"-12TP	1-1/8"	2.05"
PPF/10K/HN-NJ/12-8I	3/4"	3/4"-16TP	1-1/8"	1.85"
PPF/10K/HN-NJ/1 2-10I	3/4"	7/8"-14TP	1-1/8"	1.96"
PPF/10K/HN-NJ/12-12I	3/4"	1-1/16"-12TP	1-1/8"	2.06"
PPF/10K/HN-NJ/1 2-16I	3/4"	1-5/16"-12TP	1-1/2"	2.13"
PPF/10K/HN-NJ/16-12I	1"	1-1/16"-12TP	1-1/2"	2.25"
PPF/10K/HN-NJ/16-16I	1"	1-5/16"-12TP	1-1/2"	2.30"

Warning for Your Safety

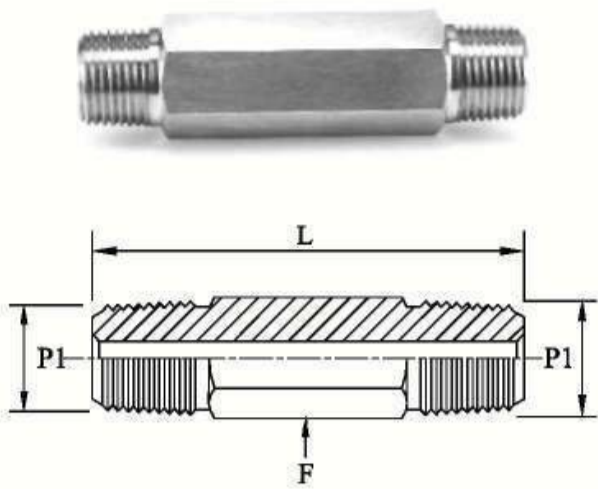
The system designer and user have the sole responsibility to select products suitable for their special application requirements to ensure proper installation, operation and maintenance of the product. Application details, material compatibility and product ratings should be considered in the individual selection. Improper selection or use of products can cause property damage or personal injury. Liability for any improper selection, installation, operation or maintenance.

HIGH PRESSURE PIPE FITTINGS

HIGH PRESSURE PIPE FITTINGS

HEX NIPPLES/1 OK LONG

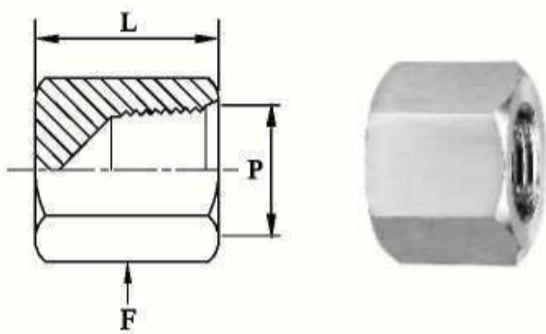
Design : P PF/10K/HNL



PART No.	P1 NPTM	LONG	F HEX	L
PPF/10K/HNL/2-3I	1/8"	3"	7/16"	3.00"
PPF/10K/HNLV4-3I	1/4"	3"	5/8"	3.00"
PPF/10K/HNLV4-4I	1/4"	4"	5/8"	4.00"
PPF/10K/HNLV4-6I	1/4"	6"	5/8"	6.00"
PPF/10K/HNL/6-3I	3/8"	3"	3/4"	3.00"
PPF/10K/HNL/6-4I	3/8"	4"	3/4"	4.00"
PPF/10K/HNL6-6I	3/8"	6"	3/4"	6.00"
PPF/10K/HNL/8-3I	1/2"	3"	7/8"	3.00"
PPF/10K/HNL/8-4I	1/2"	4"	7/8"	4.00"
PPF/10K/HNL/8-6I	1/2"	6"	7/8"	6.00"

PIPE CAP/1 OK NPT

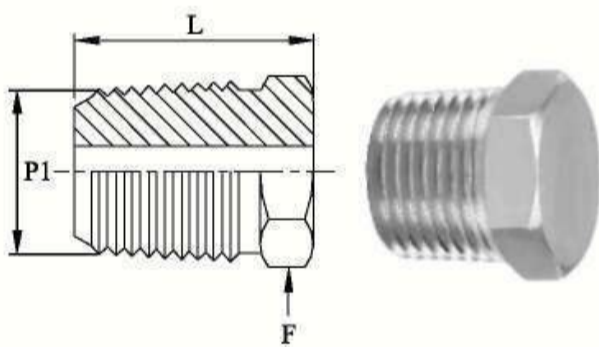
Design: PPF/1 OK/PC



PART No.	P NPTF	F HEX	L
PPF/10K/PC/2I	1/8"	3/4"	0.85"
PPF/10K/PC/4I	1/4"	7/8"	0.94"
PPF/10K/PC/6I	3/8"	1-1/8"	1.04"
PPF/10K/PC/8I	1/2"	1-3/8"	1.38"
PPF/10K/PC/12I	3/4"	1-3/4"	1.50"
PPF/10K/PC/16I	1"	2-1/4"	1.85"

HEX PLUG/1 OK NPT

Design: PPF/1 OK/HP



PART No.	P1 NPTM	F HEX	L
PPF/10K/HP/2I	1/8"	7/16"	0.56"
PPF/10K/HP/4I	1/4"	5/8"	0.84"
PPF/10K/HP/6I	3/8"	3/4"	0.84"
PPF/10K/HP/8I	1/2"	7/8"	1.09"
PPF/10K/HP/12I	3/4"	1-1/8"	1.17"
PPF/10K/HP/16I	1"	1-3/8"	1.36"

Warning for Your Safety

The system designer and user have the sole responsibility to select products suitable for their special application requirements to ensure proper installation, operation and maintenance of the product. Application details, material compatibility and product ratings should be considered in the individual selection. Improper selection or use of products can cause property damage or personal injury. PPF/10K/HP/16I is not responsible for any improper selection, installation, operation or maintenance.

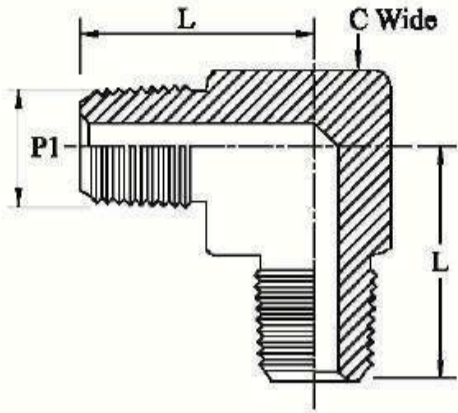
ELBOW/1 OK MALE -MALE

KURAT ENTERPRISE

Design :PPF/1 OK/ME



PART No.	P1 NPTM	L	C
PPF/10K/ME/2I	1/8"	0.69"	0.63"
PPF/10K/ME/4I	1/4"	0.94"	0.75"
PPF/10K/ME/6I	3/8"	0.97"	0.87"
PPF/10K/ME/8I	1/2"	1.31"	1.00"

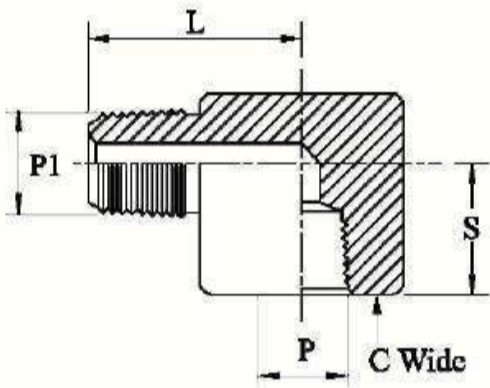


ELBOW/1 OK MALE - FEMALE

Design :PPF/10K/MFE



PART No.	P/P1 NPT-MF	L	S	C
PPF/10K/MFE/2I	1/8"	0.82"	0.76"	0.75"
PPF/10K/MFE/4I	1/4"	1.06"	1.00"	1.00"
PPF/10K/MFE/6I	3/8"	1.20"	1.06"	1.25"
PPF/10K/MFE/8I	1/2"	1.59"	1.25"	1.50"

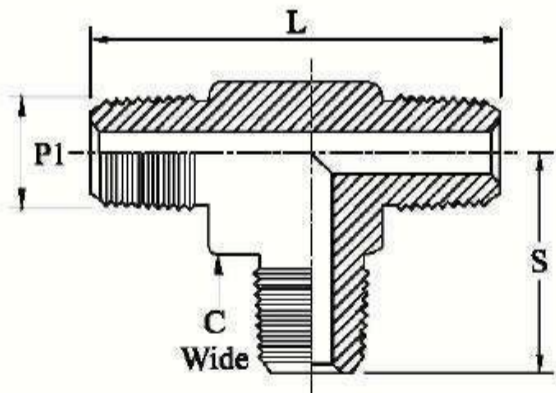


TEE/1 OK MALE

Design: PPF/10K/MT



PART No.	P1 NPTM	L	S	C
PPF/10K/MT/2I	1/8"	1.38"	0.69"	0.63"
PPF/10K7MT/4I	1/4"	1.88"	0.94"	0.75"
PPF/10K/MT/6I	3/8"	1.94"	0.97"	0.87"
PPF/10K/MT/8I	1/2"	2.62"	1.31"	1.00"



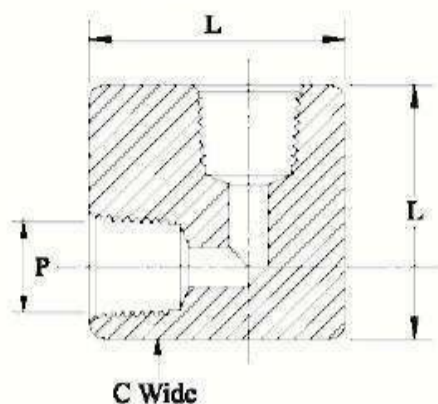
Warning for Your Safety

The system designer and user have the sole responsibility to select products suitable for their special application requirements to ensure proper installation, operation and maintenance of the product. Application details, material compatibility and product ratings should be considered in the individual selection. Improper selection or use of products can cause property damage or personal injury. Liability for any improper selection, installation, operation or maintenance.

HIGH PRESSURE PIPE FITTINGS

ELBOW/1 OK FEMALE - FEMALE

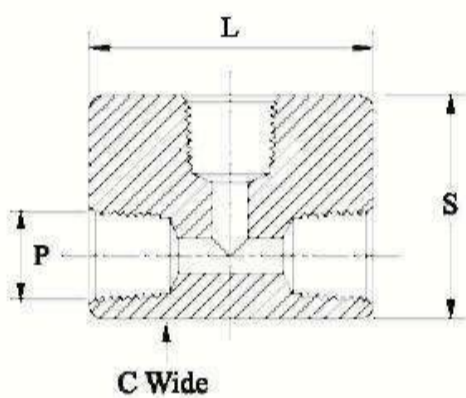
Design :PPF/10K/FE



PART No.	P NPTF	L	L	C
PPF/10K/FE/2I	1/8"	1.12"	1.12"	0.75"
PPF/10K/FE/4I	1/4"	1.50"	1.50"	1.00"
PPF/10K/FE/6I	3/8"	1.85"	1.85"	1.25"
PPF/10K/FE/8I	1/2"	2.25"	2.25"	1.50"

TEE/1 OK FEMALE

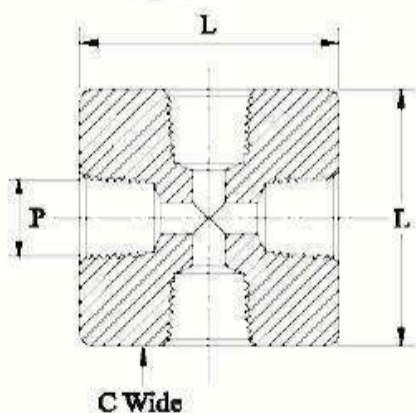
Design :PPF/10K/FT



PART No.	P NPTF	L	S	C
PPF/10K/FT/2I	1/8"	1.50"	1.12"	0.75"
PPF/10K/FT/4I	1/4"	2.00"	1.50"	1.00"
PPF/10K/FT/6I	3/8"	2.25"	1.95"	1.25"
PPF/10K/FT/8I	1/2"	2.50"	2.00"	1.50"

CROSS/1 OK FEMALE - FEMALE

Design : PPF/10K/FC



PART No.	P NPTF	L	L	C
PPF/10K/FC/2I	1/8"	1.50"	1.50"	0.75"
PPF/10K/FC/4I	1/4"	2.00"	2.00"	1.00"
PPF/10K/FC/6I	3/8"	2.25"	2.25"	1.25"
PPF/10K/FC/8I	1/2"	2.50"	2.50"	1.50"

Warning for Your Safety

The system designer and user have the sole responsibility to select products suitable for their special application requirements to ensure proper installation, operation and maintenance of the product. Application details, material compatibility and product ratings should be considered in the individual selection. Improper selection or use of products can cause property damage or personal injury. Product liability for any improper selection, installation, operation or maintenance.

KURAT ENTERPRISE

67/69, Jubilee Bldg., Ground Flr., Opposite Kalyan Bldg.,
P.B. Marg, Near Navjeevan Society, Grant Road,
Mumbai - 400 008, India.

Tel: +9122 23002114 Fax: + 9122 23002114

Mobile: +91 9820754929

Email: infokurat@gmail.com / instrumentfittings@gmail.com

Website: <http://www.kuratentp.com> / <http://www.instrumentationfittings.com>